

DA7219

The DA7219 is an audio CODEC with in-built advanced accessory detection (AAD) for mobile computing and accessory applications. This product contains a mono microphone to ADC path with audio activity detection, and a stereo DAC to HP path. The AAD block supports 3 and 4 pole jacks, allows the automatic polarity switching of MIC/GND on CTIA or OMTP headsets and also supports automatic button detection.

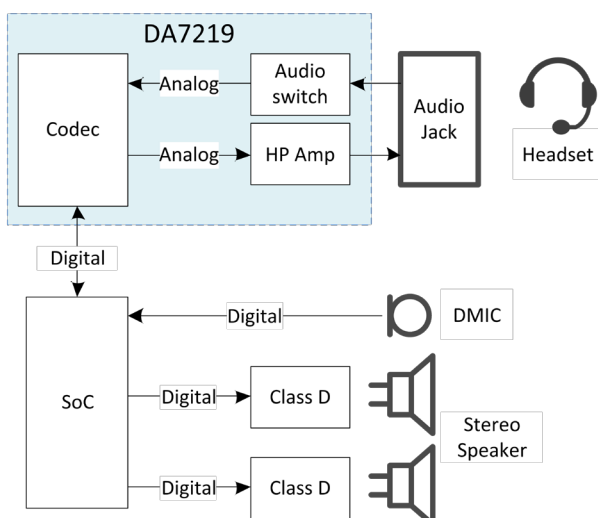


32 bump WL-CSP Package

Features

- ▶ High performance mono microphone to ADC record path with 90 dB SNR.
 - ADC digital filters with audio and voice mode high-pass characteristics
- ▶ High performance stereo DAC to headphone playback path with 100 dB SNR.
 - DAC digital filters with audio and voice mode high-pass cutoff and 5-band equaliser
- ▶ Advanced Accessory Detection supports
 - Three/four pole jack detection
 - MIC-Ground polarity switching
 - Multiple button detection
- ▶ A hybrid analogue/digital automatic level control to dynamically control record level.
- ▶ Digital Sidetone path with gain
- ▶ Digital Tonegen with S-Ramp
- ▶ System controller for simplified pop-free startup and shutdown.
- ▶ Separate 24 kHz ADC/48 kHz DAC sample rates available
- ▶ Shutdown mode for very low current consumption during standby
- ▶ Phase-locked loop with sample rate tracking to generate system clock.
- ▶ 4-wire digital audio interface with support for I2S, TDM and other audio formats.
- ▶ 2-wire I2C compatible with support for High Speed mode up to 3.4MHz

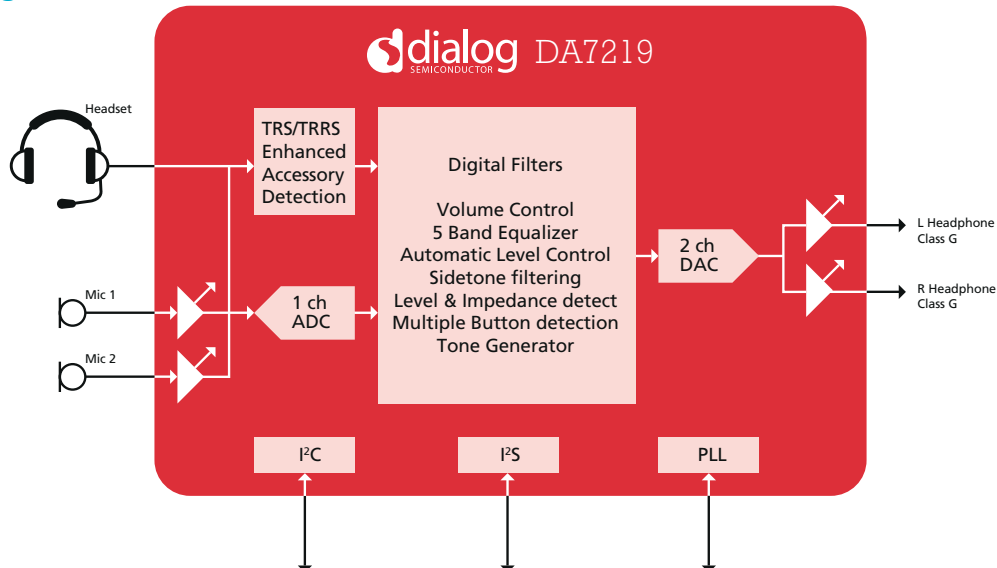
Audio System diagram



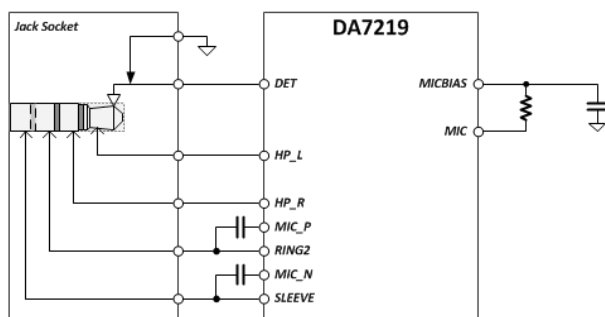
Applications

- ▶ Chromebooks
- ▶ Portable audio applications
- ▶ Tablets and eBooks
- ▶ Audio accessories

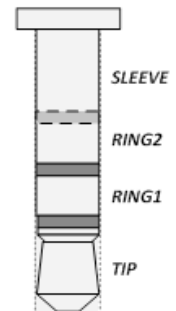
Block Diagram



Advanced Accessory Detection (AAD)



Position	Jack Type	
	CTIA	OMTP
SLEEVE	MIC	GND
RING2	GND	MIC
RING1	HP_R	HP_R
TIP	HP_L	HP_L



The AAD will detect a jack insertion/removal, detect the polarity of the jack (CTIA/OMTP), and will support the detection of impedance based buttons in parallel with the connected accessory microphone.

Feature highlights

- ▶ GNG/MIC polarity switch and multiple button detection for CTIA/OMTP audio jacks
- ▶ 7.5mm² package footprint enabling PCB space savings in area constrained applications
- ▶ Capless headphone driver eliminates large AC coupling capacitors
- ▶ Optimised ball-out conducive for low cost PCB manufacturing

Dialog Semiconductor Worldwide Sales Offices - www.dialog-semiconductor.com

email: info@diasemi.com

United Kingdom
Phone: +44 1793 757700

The Netherlands
Phone: +31 73 640 88 22

Japan
Phone: +81 3 5425 4567

Singapore
Phone: +65 648 499 29

Korea
Phone: +82 2 3469 8200

Germany
Phone: +49 7021 805-0

North America
Phone: +1 408 845 8500

Taiwan
Phone: +886 281 786 222

Hong Kong
Phone: +852 3769 5200

China (Shenzhen)
Phone: +86 755 2981 3669
China (Shanghai)
Phone: +86 21 5424 9058

This publication provides outline information only, which unless agreed by Dialog Semiconductor may not be used, applied or reproduced for any purpose, or be regarded as a representation relating to products. Please refer to Dialog standard supply terms on the company website (www.dialog-semiconductor.com).

© Dialog Semiconductor 2015. All rights reserved. 0415XXX